

**NOTE:** It is our policy to continually improve products and as such we reserve the right to alter data, specifications and component parts without prior notice. There may be alternative versions of this product, please contact us should you require this information.

**IMPORTANT:** No liability is accepted for incorrect use of product. Spare parts must be fitted by a competent person

**WARRANTY:** Guarantee is 12 months from purchase date, proof of which will be required for any claim.



Parts Information:  
**Viking Bench Type Hydraulic Press 15  
Tonne  
Model No: PPB15S**

Item	Part No.	Description
1	FUSN-ZG0001	Oil Pump Assembly
2	SWM6.S	Spring Washer M6 Zinc
3	SS620.S	Hex Head Set Screw M6 x 20mm Zinc
4	FUSN-ZE0001	Frame Assembly
5	FUSN-ZF0001	Ram Cylinder Assembly
6	FUSN-L05020049	Frame Pin Ring
7	SCB630.SB	Socket Cap Bolt M6 x 30mm Black
8	NLN6.S	Nyloc Nut M6 Zinc
9	FUSN-ZE2001	Foot Assembly
10	SS1025.S	Hex Head Set Screw M10 x 25mm Zinc
11	FUSN-L0190019	Bed Frame Pin
12	FUSN-L05100018	E-Clip
13	FUSN-ZE1001	Bed Frame Assembly
14	FUSN-L0190033	V-Block Assembly
15	FUSN-L06076	Pressure Release Knob (Female)
16	FUSN-L0190111	Pressure Release Rod
17	FUSN-L06077	Gauge Protection Ring
18	FUSN-L06078	Plastic Plug
19	FUSN-L06075	Side Cover
20	FUSN-L0190016	Handle Assembly
21	FUSN-L03100015	V-Spring
23	FUSN-L20078	Oil Hose
24	FUSN-L10001	Pressure Gauge, 20t -720kg/cm <sup>2</sup> Ø70mm Bottom Fixing
25	FUSN-L02020029	Seal for Pressure Gauge, White Plastic (Ø5.7 x 8 x 1.5mm)

Item	Part No.	Description
26	FUSN-L09002	Pressure Gauge Connector
27	FUSN-L03100021	Spring Pin Ø4 x 14mm
28	FUSN-L20079	Bed Frame Protection Plate (Right)
29	FUSN-L20088	Bed Frame Protection Plate (Left)
30	FUSN-L0190029	Press Pin (2T)
30	FUSN-L0190026	Press Pin (3T)
30	FUSN-L0190025	Press Pin (6T)
30	FUSN-L0190024	Press Pin (8T)
30	FUSN-L0190023	Press Pin (10T)
30	FUSN-L0190022	Press Pin (12T)
30	FUSN-L0190021	Press Pin (13T)
30	FUSN-L0190020	Press Pin (15T)
31	FUSN-L06073	Press Tray
32	FUSN-L03010077	Shoulder Screw (Ø8 x 30 x M6)
33	FUSN-L03010078	Shoulder Screw (Ø8 x 25 x M6)
34	FUSN-L0190031	Pump Handle Assembly
36	FUSN-L07Y003	Pump Connecting Rod
37	SWM10.S	Spring Washer M10 Zinc
38	FUSN-L0190282	Saddle Assembly
39	GSM812.S	Grub Screw M8 x 12mm
40	FUSN-L03020017	Knurl Nut M10 x 6mm
41	FUSN-L03010090	Grub Screw M10 x 16mm
42	FUSN-L0190027	Top Cover for Saddle
--	FUSN-L06074	Bed Frame Pin Rubber Sleeve (Not Shown)
--	FUSN-L06072	Handle Grip (Not Shown)

**NOTE:** It is our policy to continually improve products and as such we reserve the right to alter data, specifications and component parts without prior notice. There may be alternative versions of this product, please contact us should you require this information.

**IMPORTANT:** No liability is accepted for incorrect use of product. Spare parts must be fitted by a competent person

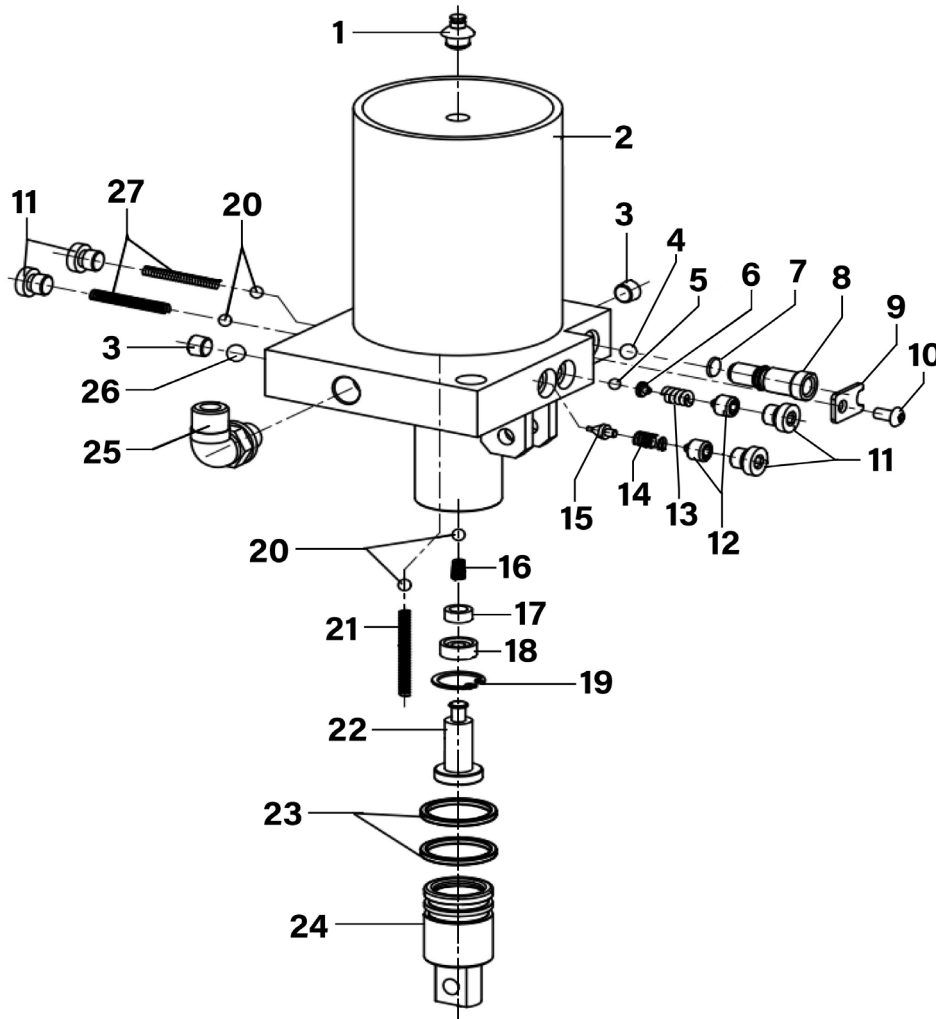
**WARRANTY:** Guarantee is 12 months from purchase date, proof of which will be required for any claim.

Jack Sealey Ltd t/a Sealey Group, Kempson Way, Suffolk Business Park, Bury St Edmunds, Suffolk, IP32 7AR UK

Jack Sealey (EU) Ltd t/a Sealey Group, Farney Street, Carrickmacross, Co. Monaghan, A81 PK68 Ireland

Tel: 01284 757500 · Email: sales@sealey.co.uk · Web: www.sealey.co.uk

Parts Information:  
**Viking Bench Type Hydraulic Press 15 Tonne**  
**Model No: PPB15S**



Item	Part No.	Description
1	FUSN-L0190032	Oil Plug Assembly
2	FUSN-L0190036	Manifold Assembly
3	FUSN-L03010039	Oil Plug Screw (C)
4	SB-7.2	Steel Ball 7.2mm
5	SB-5.0	Steel Ball 5.0mm
6	FUSN-L0180012	Steel Ball Holder
7	SA57.32	O-Ring (12.29 x 8.73 x 1.78mm)
8	FUSN-L0190010	Pressure Release Rod
9	FUSN-L07Y184	Pressure Release Limit Plate
10	MSP58.SB	Machine Screw Pan Head Phillips M5 x 8mm Black
11	FUSN-L03010004	Oil Plug Screw (B)
12	FUSN-L03010063	Pressure Regulating Screw
13	FUSN-L05020030	Pressure Regulating Spring
14	FUSN-L05020076	Low Pressure Regulating Screw

Item	Part No.	Description
15	FUSN-L0190157	Valve (Cone)
16	FUSN-L05020045	Spring
17	FUSN-L02030013	Seal B3
18	FUSN-L02020028	Locking O-Ring (Ø8 x 12 x 5mm)
19	FUSN-L05100017	Internal Circlip
20	SB-5.5	Steel Ball 5.5mm
21	FUSN-L05020044	Spring
22	FUSN-L0190035	Pump Plunger Assembly (Small)
23	FUSN-L02010064	X-Ring Seal
24	FUSN-L0190013	Pump Plunger Assembly (Large)
25	FUSN-L09001	Oil Hose Joint Elbow
26	SB-8.0	Steel Ball 8.0mm
27	FUSN-L05020047	Spring
--	PPF30S-PSK	Seal Kit for Pump Assembly (Not Shown)

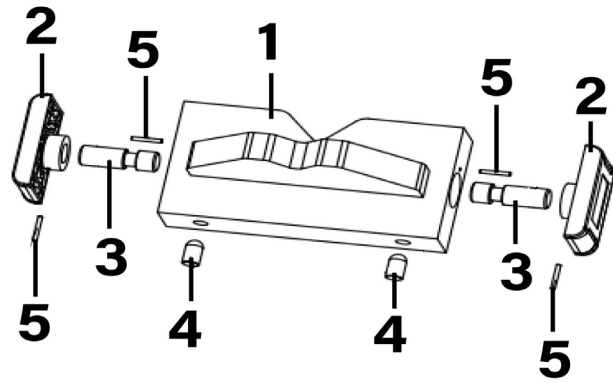
**NOTE:** It is our policy to continually improve products and as such we reserve the right to alter data, specifications and component parts without prior notice. There may be alternative versions of this product, please contact us should you require this information.

**IMPORTANT:** No liability is accepted for incorrect use of product. Spare parts must be fitted by a competent person

**WARRANTY:** Guarantee is 12 months from purchase date, proof of which will be required for any claim.

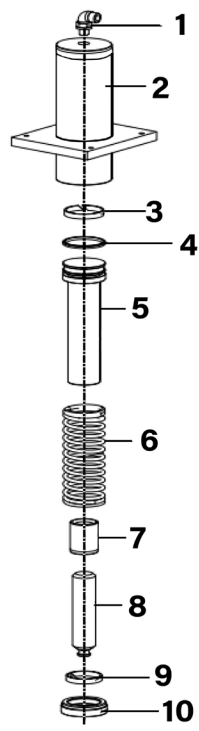


Parts Information:  
**Viking Bench Type Hydraulic Press 15 Tonne**  
**Model No: PPB15S**



Item	Part No.	Description
1	FUSN-L0190033S	V-Block
2	FUSN-L06088	V-Block End Cover (15 Tonne)
3	FUSN-L0190084	Rotating Shaft for V-Block End Cover

Item	Part No.	Description
4	FUSN-L03010090	Grub Screw M10 x 16mm
5	FUSN-L03100017	Spring Pin Ø2.5 x 16mm



Item	Part No.	Description
1	FUSN-L09001	Oil Hose Joint Elbow
2	FUSN-L0190034	Outer Sleeve Assembly
3	FUSN-L02040114	Guide Ring
4	FUSN-L02060030	Stepped Seal
5	FUSN-L0190003	Piston Assembly
6	FUSN-L05020043	Piston Spring

Item	Part No.	Description
7	FUSN-L0190006	Connector
8	FUSN-L0190281	Screw Arbor
9	FUSN-L02040028	Guide Ring
10	FUSN-L0190008	Outer Cylinder Sleeve
--	PPB15S-RSK	Seal Kit for Ram Cylinder Assembly (Not Shown)

**NOTE:** It is our policy to continually improve products and as such we reserve the right to alter data, specifications and component parts without prior notice. There may be alternative versions of this product, please contact us should you require this information.

**IMPORTANT:** No liability is accepted for incorrect use of product. Spare parts must be fitted by a competent person

**WARRANTY:** Guarantee is 12 months from purchase date, proof of which will be required for any claim.